

SUMMER 2025 - 2026

# Trade Promotions & Specials

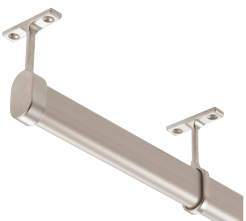
# SUMMER DEALS!

...WITH  
EVERY ORDER OVER  
THE VALUE OF \$1000  
OR \$2000 FROM THIS  
BROCHURE!

See page 2 for full details  
of this offer.



December 2025 - February 2026



# 1.

## SPEND \$2000 FROM THIS BROCHURE & RECEIVE A FREE DUAL LINE 1.7M PARAFOIL KITE \*

The Skydog Para-Stunter (parafoil) kites allow you to feel the force of the wind while limiting the power and pull. Skydog Para-Stunter kites are perfect trainers to prepare flyers for big traction kites and are a blast to fly as the pilot gets pulled around while still having full control. A quick, responsive foil that offers a bit more pull in higher winds, the Para-Stunter 1.7 is a compact soft kite with great recovery. Complete with flight straps and flying lines, and fits into a cool drawstring carry bag

### FEATURES:

- Colour: Rainbow and white colour pattern
- Size: 165cm x 67cm
- Wind Range: 10-40kph (6-25 mph)
- Sail: Ripstop Nylon
- Flying Lines: 25m x 100kg Dyneema on winder with wrist straps.
- Skill Level: Novice to Intermediate
- This kite is supplied ready to fly - includes kite, flying lines on winder, wrist straps, reusable nylon shoulder bag and instructions.
- RRP: \$139.95



PROMO.DLPK



# 2.

## SPEND \$1000 FROM THIS BROCHURE & RECEIVE A FREE FINSKA ORIGINAL SET IN NORDIC BLUE \*



Finska Original in Nordic Blue - all the same great qualities as Finska Original, just with a coat of gorgeous protective paint. Finska in Nordic Blue is crafted from eco-friendly birch, a hardwood known for its shock resistant qualities. Finska Blue uses the same select grade birch as original Finska but comes with a snappy navy blue painted crate and pin numbers. Each Finska Blue set comes packaged in a handy painted hardwood carry crate and includes 12 numbered pins, Finska throwing log and easy to understand rule card and score sheet. Finska is suitable for ages 7 to 107.

### DETAILS:

- Crate: 30 x 22 x 18cm
- Pins: 15 x 6 cm
- Log: 22 x 5.5 cm
- Product Size: 30 x 22 x 19 cm
- Product Weight: 3.6 kg
- Product Materials: Birch Hardwood
- RRP: \$69.00

### PROMO.FINSKA



\* Conditions/Redemption of Special Offer Spend amount is goods value - does not include freight or GST - Spend amount must be reached in one invoice  
Spend amount applies to goods ordered from this brochure only - A limit of one promo item per relevant invoice applies  
Limit 1 per customer - Offer valid until 28.02.2026

## A note from the editor

A very warm welcome to the 2025 edition of the Dorset Australia Summer Deals and Promotions brochure!

This year has flown by and as we move into a bright new season you can count on our team to continue delivering excellent service and innovative products for every project. We have launched more new products than ever before to meet growing demand and to stay ahead as a leader in the hardware industry.

To celebrate summer we are gifting every qualifying order with a beach kite for the adventurous spirit and a backyard Finska game set for fun with family and friends.

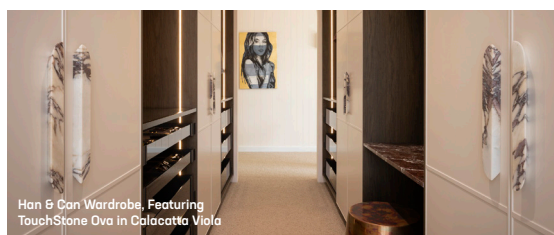
Enjoy a well deserved break and we look forward to supporting you again in the New Year!

Yours Sincerely,

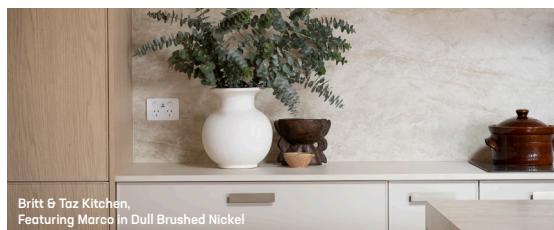
John Steen  
Managing Director



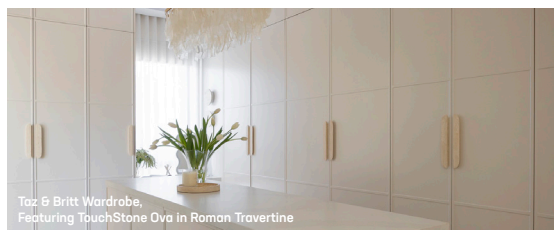
Han & Can Kitchen Featuring Vesio in Brushed Gold



Han & Can Wardrobe, Featuring TouchStone Ova in Calacatta Viola



Britt & Taz Kitchen, Featuring Marco in Dull Brushed Nickel



Taz & Britt Wardrobe, Featuring TouchStone Ova in Roman Travertine

## A Look Back on The Block 2025

Explore The Block rooms to discover an array of Touch Handles, selected by The Block contestants

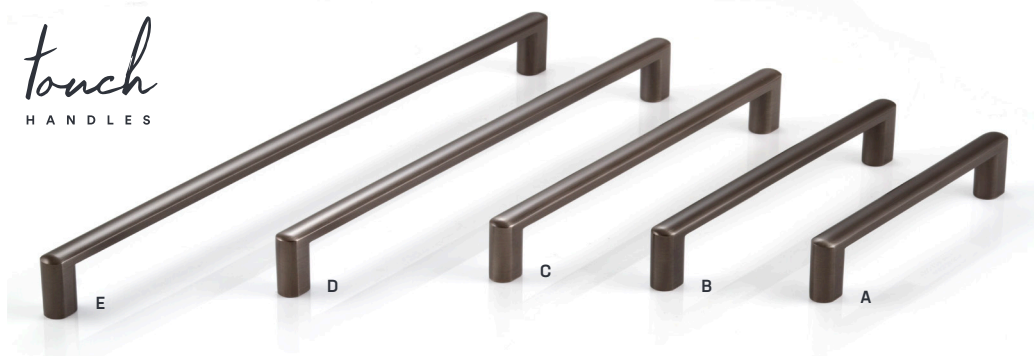
Adding the finishing touch to many winning rooms this season, Touch Handles stunned in the beautiful spaces.

Featuring Vesio, Marco, Stirling, Arezzo, Chicama and TouchStone handles, even judge Darren Palmer had to mention the beautiful finish of the Marble Calacatta Viola Handles.

*the finishing touch*



# AUSTIN COLLECTION



## Austin D Handles

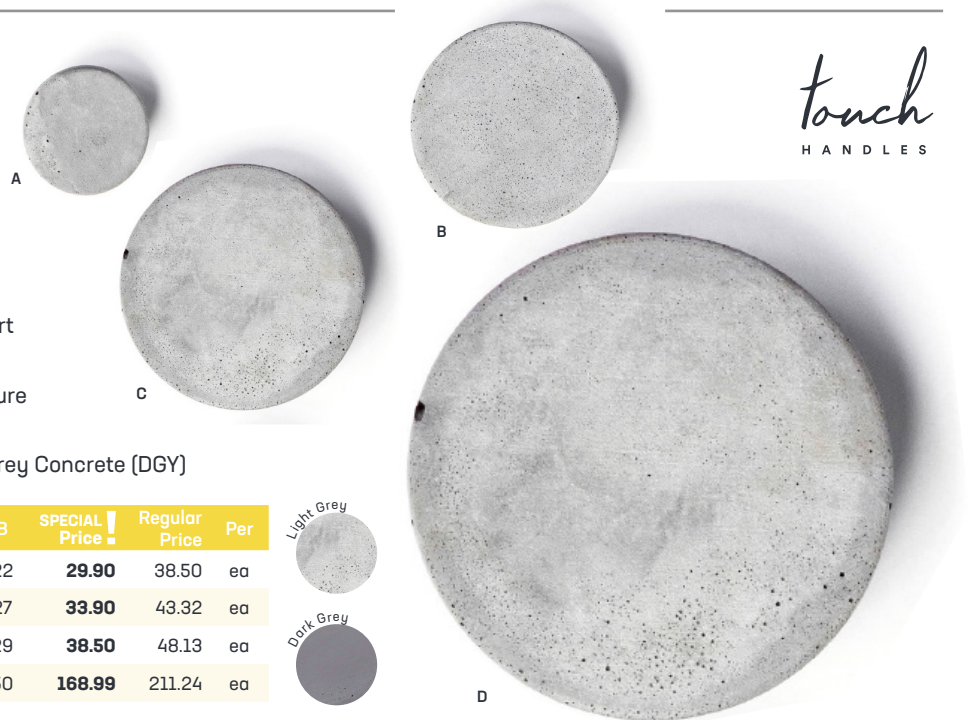
- Material: Zinc Alloy
- Finish: Brushed Brass (BRB), Brushed Gunmetal (BGM), Dull Brushed Nickel (DBR), Matt Black (MBL), Matt White (MWH)

Part No.	Finish	HC	OA	W	P	INTRODUCTORY Price	Per	
A	AUD128	BRB, BGM, DBR, MBL, MWH	128	144	12	20	<b>6.99</b>	ea
B	AUD160	BRB, BGM, DBR, MBL, MWH	160	175	12	20	<b>7.97</b>	ea
C	AUD192	BRB, BGM, DBR, MBL, MWH	192	207	12	20	<b>10.14</b>	ea
D	AUD256	BRB, BGM, DBR, MBL, MWH	256	271	12	20	<b>12.69</b>	ea
E	AUD320	BRB, BGM, DBR, MBL, MWH	320	335	12	20	<b>14.87</b>	ea

HC = Hole Centre OA = Overall Size W = Width P = Projection

## Pomolo Concrete Knobs

- Handmade in Greece
- XL size ideal for feature pantry handle
- Ideal for a feature hook/hanger
- Air holes & colour tone variants are all part of the natural characteristic of concrete
- Waterproof seal to prevent against moisture absorption and stains
- Finish: Light Grey Concrete (LGY), Dark Grey Concrete (DGY)



Part No.	Finish	Ø	P	B	SPECIAL Price	Regular Price	Per	
A	POM42	LGY, DGY	45	30	22	<b>29.90</b>	38.50	ea
B	POM72	LGY, DGY	72	33	27	<b>33.90</b>	43.32	ea
C	POM85	LGY, DGY	85	36	29	<b>38.50</b>	48.13	ea
D	POM170	LGY, DGY	170	70	50	<b>168.99</b>	211.24	ea

Ø = Diameter P = Projection B = Base Diameter



## The Mayfair Collection

Now complete with the Mayfair knob - designed in house to match in perfectly with the handle collection, the Mayfair collection is a timeless, loved addition to many homes.

View it at [www.touchhandles.com.au](http://www.touchhandles.com.au)



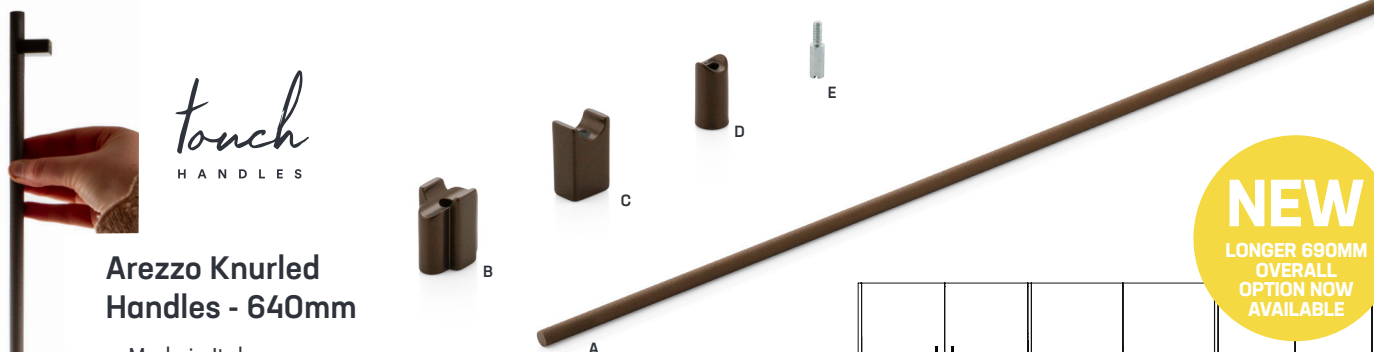
### The Mafair Collection

- Material: Zinc Alloy
- Finish: Brushed Aged Brass (BAB), Brushed Brass (BRB), Dull Brushed Nickel (DBR), Matt Black (MBL), Chrome Plated (CP)



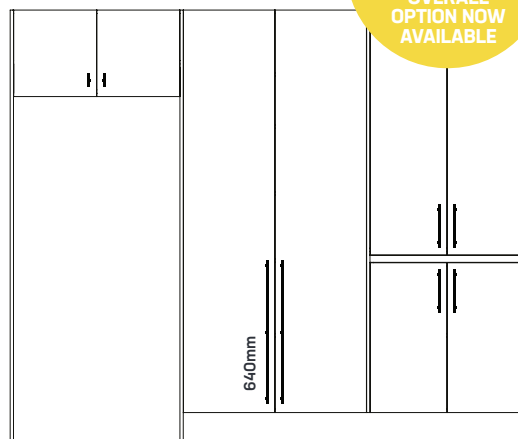
Part No.	Finish	HC	OA	P	SPECIAL Price	Regular Price	Per
A MAY35	BAB, BRB, DBR, MBL, CP	-	35	32	10.50	13.13	ea
B MAY128	BAB, BRB, DBR, MBL, CP	128	156	40	17.50	21.81	ea
• MAY192	BAB, BRB, DBR, MBL, CP	192	220	40	19.50	24.39	ea
• MAY288	BAB, BRB, DBR, MBL, CP	288	316	40	23.50	29.48	ea

• Not Pictured HC = Hole Centre OA = Overall Size P = Projection



### Arezzo Knurled Handles - 640mm

- Made in Italy
- Posts & knurled bars purchased separately, allowing the option to mix and match posts & finishes
- Appliance Pull comes complete with round posts
- 1 x CGJB.M4.ZP Joining screws required for each post (**3 post required for this 640mm option**)
- Material: Aluminium, Zinc Alloy & Brass
- Finish: Copper Bronze (CBZ), Dull Brushed Nickel (DBR), Frosty Dark Nickel (FDN), Matt Black (MBL), Matt White (MWH), Natural Brass (NB), Titanium Bronze (TBZ), Lake Green (LGR), Pink Copper (PKC), Choco Bronze (CHB)



Part No.	Description	Finish	HC	OA	W	P	INTRODUCTORY Price	Per
A CGKB.640	640mm Bar	CHB, CBZ, DBR, FDN, LGR, MBL, MWH, NB, PKC, TBZ	640	690	10	-	53.60	ea
B CGF828	Double Fixing Post	CHB, CBZ, DBR, FDN, LGR, MBL, MWH, NB, PKC, TBZ	16	24	15	30	7.00	ea
C CGF827	Single Fixing Post	CHB, CBZ, DBR, FDN, LGR, MBL, MWH, NB, PKC, TBZ	-	15	10	30	5.25	ea
D CGF857	Round Fixing Post	CHB, CBZ, DBR, FDN, LGR, MBL, MWH, NB, PKC, TBZ	-	21	10	28	5.65	ea
E CGJB.M4	M4 Joining Screw	ZP	-	-	-	-	FREE!	ea

HC = Hole Centre OA = Overall Size W = Width P = Projection



**NEW FINISH**



### Teleto D Handles

- Material: Zinc Alloy
- Finish: Dull Brushed Nickel (DBR), **NEW Matt Black (MBL)**

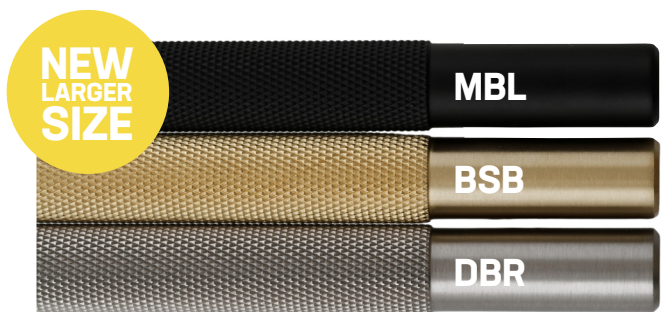


Part No.	Finish	HC	OA	W	P	INTRODUCTORY Price	Per
FLH128	DBR, <b>MBL</b>	128	148	11	30	<b>6.59</b>	ea
FLH288	DBR, <b>MBL</b>	288	301	11	30	<b>11.59</b>	ea

HC = Hole Centre OA = Overall Size W = Width P = Projection



### KENLEY COLLECTION



**NEW LARGER SIZE**

*the finishing touch*

### Kenley Collection

- Made from Solid Brass
- A cost-effective take on the luxury Henley collection, that still doesn't skimp on quality
- Stunning knurled brass detail adds a deluxe texture to the handles
- Finish: Brushed Satin Brass (BSB), Dull Brushed Nickel (DBR), Matt Black (MBL)

Part No.	Finish	HC	OA	Price ea	Per
A	KEN29 BSB, DBR, MBL	-	29	21.74	ea
B	KEN35 BSB, DBR, MBL	-	35	28.86	ea
C	KEN128 BSB, DBR, MBL	128	128	48.22	ea
D	KEN160 BSB, DBR, MBL	160	128	54.15	ea
E	KEN192 BSB, DBR, MBL	192	128	64.82	ea
F	KEN256 BSB, DBR, MBL	256	128	87.75	ea
•	<b>KEN448 BSB, DBR, MBL</b>	<b>448</b>	<b>488</b>	<b>134.77</b>	<b>ea</b>

• Not Pictured HC = Hole centre OA = Overall length



**NEW 448MM NOW AVAILABLE**





### TouchMade Hanging Rock Knobs

- Hand carved in the Macedon Ranges from upcycled American Oak
- Random design - No two are the same shape
- Inserted Brass M6 Fixings - Supplied with screws
- Finish: Walnut Stained American Oak (WAMOAK), Clear Coated American Oak (CAMOAK), Ebony Stained American Oak (EAMOAK), Raw American Oak (AMOAK) - Ready for sealing, painting or staining any colour of your choice.

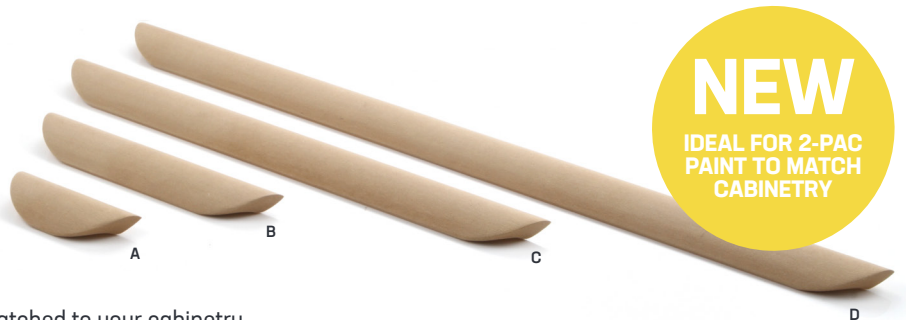
Part No.	Finish	P	OA	INTRODUCTORY Price	Per
HRK70	AMOAK	35	32	<b>31.90</b>	ea
HRK70	CAMOAK, WAMOAK, EAMOAK	35	32	<b>36.90</b>	ea

• Give or take 5mm for handle measurements P = Projection OA = Longest length of knob

### the finishing touch

### Cadello MDF Handles

- Hand Made in the Macedon Ranges from upcycled MDF
- Perfect for creating handles that are colour matched to your cabinetry
- Inserted Brass M4 Fixings - Supplied with screws
- Finish: Raw Sanded MDF (MDF) - Ready for primer & 2-Pac painting to any colour of your choice (by others).



Part No.	Finish	HC	OA	W	P	INTRODUCTORY Price	Regular Price	Per	
A	CCH64.MDF	Raw Sanded MDF	64	100	33	19	<b>15.58</b>	22.26	ea
B	CCH160.MDF	Raw Sanded MDF	160	200	33	19	<b>18.19</b>	25.98	ea
C	CCH320.MDF	Raw Sanded MDF	320	400	33	19	<b>25.03</b>	35.76	ea
D	CCH480.MDF	Raw Sanded MDF	480	600	33	19	<b>31.40</b>	44.85	ea

HC = Hole Centre OA = Overall Size W = Width P = Projection



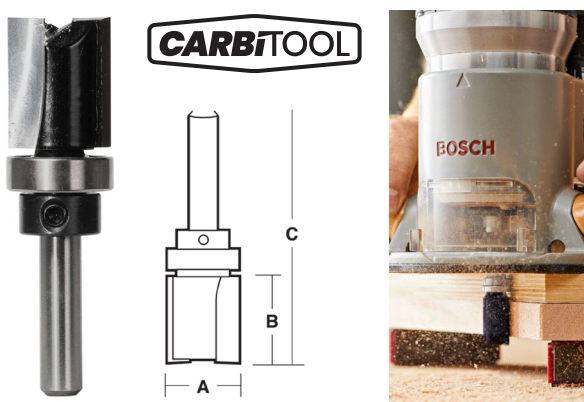
### Flush Trimming Router Bits - 1/4 inch Shank



- Carb-I-Tool TCT 2-Flute Flush Trim Router Bits
- Popular bits for fast smooth and accurate trimming cuts for laminates and template work
- Ideal for trimming excess material after timber or laminates have been joined, or for replicating a pattern consistently when used with a master template across multiple pieces

Part No.	A Inch/mm	B INCH/MM	C INCH/MM	INTRODUCTORY Price !	Per
FTB38	3/8 / 9.5	1 / 25.40	2-5/8 / 63.50	<b>47.90</b>	ea
FTB12	1/2 / 12.70	1 / 25.40	2-1/2 / 67.00	<b>51.90</b>	ea

Workshop, Tools & Safety Supplies - New Product!



### Inverted Flush Trimming Router Bit - 1/4 inch Shank

- Carb-I-Tool TCT 2-Flute Inverted Flush Trim Router Bits
- A handy bit for copy work where the template is between the work and the router
- Used to plunge and trim flush to top mounted template. The top-mounted guide bearings on these router bits make them ideal for grooving, lettering and dadoes, as well as any other template work where the template is mounted on the top face of the work-piece

Part No.	A Inch/mm	B INCH/MM	C INCH/MM	INTRODUCTORY Price !	Per
IFTB12	1/2 / 12.70	3/4 / 19.00	2-11/64 / 55.00	<b>55.90</b>	ea



### Masking Tape

- Made in Italy
- High quality
- 50 Metre rolls

Part No.	Width mm	Box Qty	SPECIAL Price !	Regular Price	Per
MT18	18	48	<b>1.69</b>	3.09	roll
MT25	24	36	<b>2.49</b>	3.96	roll
MT36	36	24	<b>3.69</b>	5.95	roll
MT48	48	24	<b>5.19</b>	8.57	roll

Workshop, Tools & Safety Supplies - Page 660



### iQuip Enviro Premium Masking Tape

- Razor sharp paint lines
- Clean release - no residue
- Strong adhesion
- No paint bleed
- 30Days+ UV Resistant & Waterproof
- Colour: Green



Part No.	Width mm	Box Qty	SPECIAL Price !	Regular Price	Per
ET18	18	48	<b>2.89</b>	4.14	roll
ET24	24	36	<b>3.59</b>	5.78	roll
ET36	36	24	<b>5.19</b>	8.32	roll
ET50	48	24	<b>7.19</b>	11.54	roll



### SIA Abrasive Sanding Discs 150mm - 7 & 9 Hole

- For a perfect finish at full speed
- Very high stock removal rates and excellent finish
- Performance-enhancing grit mix in the 40 - 80 grit ranges
- Minimal clogging due to open coating in 240 - 400 grit
- Sold in packs (no split packs)



Part No.	Hole Patten	Grit	SPECIAL Price !	Regular Price	Per
SAD150.XX.40	7H, 9H	40 Grit	<b>52.90</b>	66.25	pk/50
SAD150.XX.80	7H, 9H	80 Grit	<b>74.90</b>	114.75	pk/100
SAD150.XX.120	7H, 9H	120 Grit	<b>74.90</b>	114.75	pk/100
SAD150.XX.150	7H, 9H	150 Grit	<b>74.90</b>	114.75	pk/100
SAD150.XX.180	7H, 9H	180 Grit	<b>74.90</b>	114.75	pk/100
SAD150.XX.240	7H, 9H	240 Grit	<b>74.90</b>	114.75	pk/100
SAD150.XX.320	7H, 9H	320 Grit	<b>74.90</b>	114.75	pk/100
SAD150.XX.400	7H, 9H	400 Grit	<b>74.90</b>	114.75	pk/100



FROM **\$52<sup>90</sup>**  
PER PK

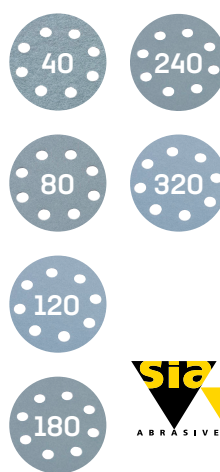
Adhesives, Sealants & Abrasives - New Product!

### SIA Abrasive Sanding Discs 125mm - 8 Hole

- Minimal clogging thanks to open coating
- High performance for stock removal with good finish
- Highly flexible and adaptable to contours
- Suitable for general use in dry & wet sanding applications



Part No.	Grit	Box Qty	SPECIAL Price !	Regular Price	Per
SAD125.8H.40	40 Grit	50	<b>34.90</b>	40.50	box/50
SAD125.8H.80	80 Grit	100	<b>58.90</b>	74.25	box/100
SAD125.8H.120	120 Grit	100	<b>58.90</b>	74.25	box/100
SAD125.8H.180	180 Grit	100	<b>58.90</b>	74.25	box/100
SAD125.8H.240	240 Grit	100	<b>58.90</b>	74.25	box/100
SAD125.8H.320	320 Grit	100	<b>58.90</b>	74.25	box/100



Adhesives, Sealants & Abrasives - New Product!

### SIA Abrasive Paper Roll 115mm x 25M

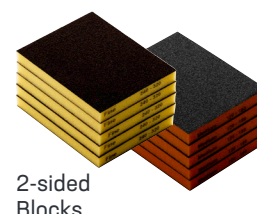
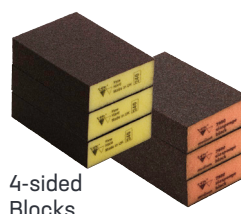
- Ideal for wood, lacquers and paints - Low clogging
- Universal all-round product for wood and lacquer
- High level of flexibility guarantees trouble-free sanding of corners & edges



Part No.	Grit	SPECIAL Price !	Regular Price	Per
SAR115.25.80	80	<b>59.90</b>	78.82	roll
SAR115.25.120	120	<b>59.90</b>	78.82	roll
SAR115.25.180	180	<b>59.90</b>	78.82	roll
SAR115.25.240	240	<b>59.90</b>	78.82	roll



We stock a full Range of SIA Abrasives





1.



# BEST SELLERS!

## Button Fix Type 2

- For easily removable panels such as plumbing or electrical services access panels
- Connects panels at 90° or to a frame and engages with a straight push
- Ideal for panels with no clearance above or at the side and applications where the emphasis is on ease of access
- Jig helps to quickly and accurately align the Button-fix installation, reducing the need for measuring and marking out
- Sold per: Pack/100

Part No.	SPECIAL Price	Regular Price	Per
BF.TYPE2	<b>179.90</b>	184.05	pk/100

2.



## Button Fix Type 3

- Easily connects parallel panels, even with no side clearance
- Can be surface-mounted or semi-recessed with installation depth matching Type 1 Button-fix for hanging adjacent panels
- Ideal for acoustic, wall and ceiling panels
- Can be surface-mounted, creating an 8mm gap between the panels, or semi-rebated to reduce the gap to 3mm
- No clearance at the sides of the panel is required for assembly or removal
- Sold Per: Pack/100
- Material: Fix Housing - PBT & Button - Acteal

Part No.	SPECIAL Price	Regular Price	Per
BF.TYPE3	<b>179.90</b>	184.05	pk/100

3.



## Button Fix Type 1 Flush

- A fully recessed connector solution
- For applications where panel-to-panel contact is required
- It fits a simple oval rebate and can be recessed into the edge of a panel of at least 28mm thick or the face of a panel of at least 18mm thick
- The Type 1 Flush Fix fits an oval rebate measuring 22 x 56 x 8.1mm deep
- It can be used surface-mounted, creating an 8mm gap between the panels
- Can be configured for sideways assembly
- Sold per: Pack/100
- Material: 30% glass filled nylon PA6

Part No.	SPECIAL Price	Regular Price	Per
BF.TYPE1FLUSH	<b>179.90</b>	184.05	pk/100

Connecting Systems - New Product!

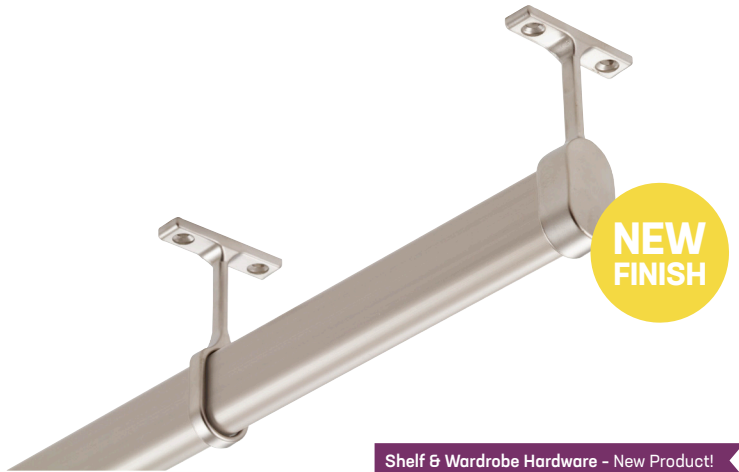
**REQUEST FREE SAMPLES TO TRY TODAY!**



Marking Jig for Type2  
Part No.: BF.FIXMARKER



Button Marker for Type1 & Type3  
Part No.: BF.BUTTONMARKER

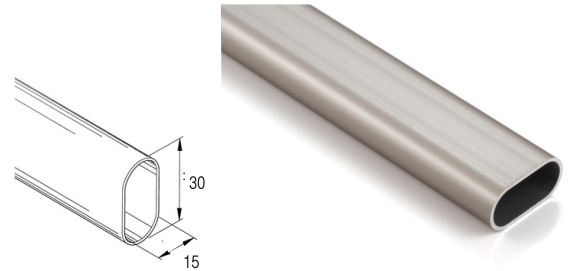


Shelf & Wardrobe Hardware - New Product!

### Aluminium Oval Tube

- 30mm x 15mm x 2500mm
- Material thickness: 1.2mm
- Finish: Dull Brushed Nickel (DBR)

Part No.	Finish	Length	SPECIAL Price !	Regular Price	Per
1400.25	DBR	2.5M	<b>27.90</b>	31.90	ea



### Flange For Oval Tube



- Finish: Dull Brushed Nickel (DBR)

Part No.	Finish	SPECIAL Price !	Regular Price	Per
1040	DBR	<b>1.69</b>	1.81	ea

### End Pillar For Oval Tube



- Finish: Dull Brushed Nickel (DBR)

Part No.	Finish	SPECIAL Price !	Regular Price	Per
WEP14	DBR	<b>3.69</b>	3.88	ea

### Centre Pillar For Oval Tube

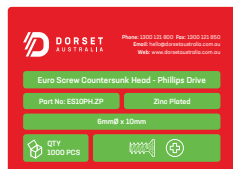


- Finish: Dull Brushed Nickel (DBR)

Part No.	Finish	SPECIAL Price !	Regular Price	Per
WCP14	DBR	<b>2.79</b>	2.90	ea

### Euro Screw Countersunk Head - Phillips Drive

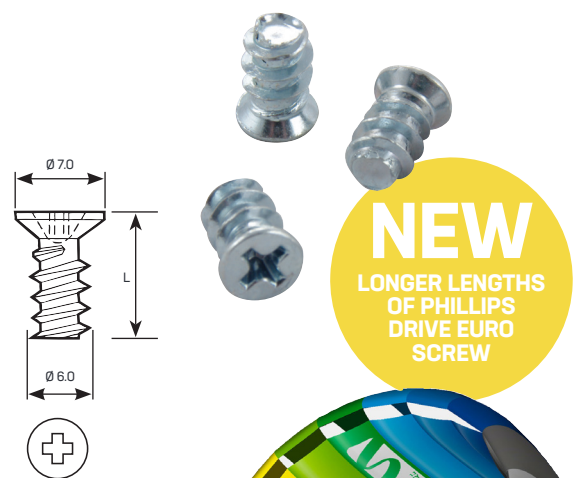
- No.2 Phillips drive
- To suit Ø5mm hole
- Box of 1000 - Minimum order 1000
- Finish: Zinc Plated (ZP)



Colour coded label

Part No.	Finish	L mm	SPECIAL Price !	Regular Price	Per
ES10PH	ZP	10mm	<b>24.90</b>	45.77	1000
ES11PH	ZP	11mm	<b>27.40</b>	49.76	1000
ES13PH	ZP	13mm	<b>31.90</b>	58.04	1000

Fasteners & Accessories - New Product!



**FREE 1.7M PARAFOL KITE**

**FREE DUAL LINE 1.7M PARAFOL KITE WITH EVERY ORDER OVER THE VALUE OF \$2000 FROM THIS BROCHURE**



**touchstone**



**TOUCHSTONE - SRV  
Smart Wifi Pro TV Lift**

- Recommended maximum screen size of 50"
- Holds screens up to 77KG
- Supplied with a flat top lid mount - roller for flap doors is available
- Finish: Black (BL)

Part No.	Finish	SPECIAL Price	Regular Price	Per
TVL.SRV2800	BL	890.90	1,043.00	ea



**TOUCHSTONE  
Whisper Lift™ II PRO TV Lifter**

- Recommended maximum screen size of 65"
- Holds screens up to 45KG
- Finish: Black (BL)

Part No.	Finish	SPECIAL Price	Regular Price	Per
TVL.WHISPERLIFT100	BL	999.90	1,178.94	ea

General Hardware - Page 554

**touchstone**



**Flat Top Lid Mount for TOUCHSTONE TV Lifts**

- For finishing the top of the lift in cabinet and ceiling mount applications
- Replaces the roller at the top of the lift which is for a flap top lid
- Suits all models of Touchstone **Whisper Lift™** TV Lifts only
- Finish: Black

Part No.	Finish	INTRODUCTORY Price	Per
TVL.FTLM	Black	112.50	ea

**FOR  
HUGE TV  
SCREENS**



**TOUCHSTONE  
Whisper Lift™ PRO XL TV Lifter**

- Recommended maximum screen size of 85"
- Holds screens up to 90KG
- Finish: Black (BL)

Part No.	Finish	SPECIAL Price	Regular Price	Per
TVL.WHISPERLIFTXL200	BL	1,999.90	2,395.50	ea

**25%  
OFF SALICE  
HINGES!**



**DORSET  
AUSTRALIA**

**+ SALICE =**

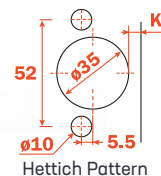
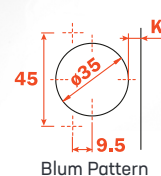
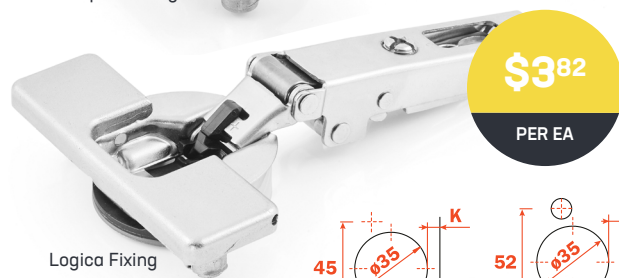
**Australia's Leading  
Salice Stockist**

**SALICE**

**Silentia+**

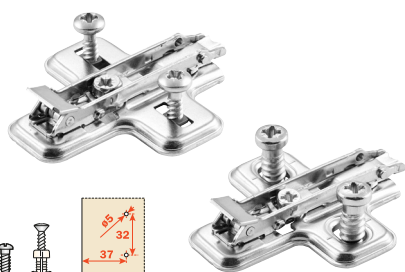
**Silentia+ Series 100 - Full Overlay 105°**

- Made in Italy
- Integrated Soft Close - Adaptable Strength
- 105° Opening angle
- 12mm Deep cup
- Drilling distance on the door (K): from 3 to 6mm
- Box Qty: 300pcs



Part No.	Description	Box Qty	SPECIAL Price	Regular Price	Per
SAL.C176AE9	45mm Rapido	300	<b>3.44</b>	4.59	ea
SAL.C1J6AE9	45mm Logica	300	<b>3.82</b>	5.09	ea
SAL.C1W6AE9	52mm Knock-in	300	<b>3.23</b>	4.31	ea
SAL.C126AE9	52mm Rapido	300	<b>3.44</b>	4.59	ea

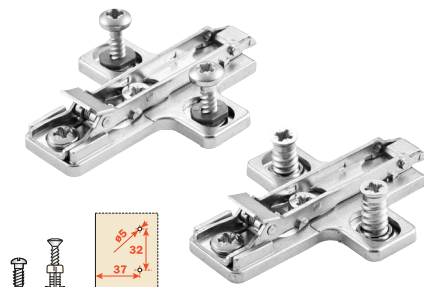
Hinges & Door Systems - Page 200



**Domi Snap-on 3mm  
Mounting Plates - Expanding  
Plastic Dowel or Euro Screw  
Fixing**

- Made in Italy
- Pressed metal mounting plates
- Suits all Salice hinges
- Drilling Ø5 X 11mm deep
- Depth adjustment by cam
- Box Qty: 300pcs

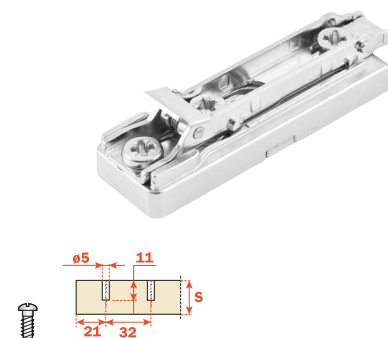
Part No.	Fixing	SPECIAL Price	Per
SAL.BAV4M39F.16	Dowel	<b>0.66</b>	ea
SAL.BAVGM39F.16	Euro	<b>0.66</b>	ea



**Domi Snap-on Cam Adjust  
3mm Mounting Plates -  
Expanding Plastic Dowel or  
Euro Screw Fixing**

- Made in Italy
- Die-cast mounting plates
- Suits all Salice hinges
- Drilling Ø5 X 11mm deep
- Depth & Height adjustment by cam
- Box Qty: 300pcs

Part No.	Fixing	SPECIAL Price	Per
SAL.BAR4R39.16	Dowel	<b>1.07</b>	ea
SAL.BARGR39.16	Euro	<b>1.06</b>	ea



**Domi Snap-on Inline Cam  
Adjust 3mm Mounting Plates  
- Euro Screw**

- Made in Italy
- Die-cast mounting plates
- Suits all Salice hinges
- Drilling Ø5 X 11mm deep
- Depth & Height adjustment by cam
- Box Qty: 300pcs

Part No.	Fixing	SPECIAL Price	Per
SAL.BAPGR39.16	Euro	<b>0.98</b>	ea

© Copyright 2025 All Rights Reserved. Specifications subject to change without notice.

**FREE FINSKA  
ORIGINAL SET**

**FREE FINSKA ORIGINAL SET IN NORDIC  
BLUE WITH EVERY ORDER OVER THE VALUE  
OF \$1000 FROM THIS BROCHURE**



## Black Vantage Strip Shelving

Not only is Vantage Strip Shelving an economical choice it can also be a trendy choice now with the slot stripping and brackets available in a matt black finish.

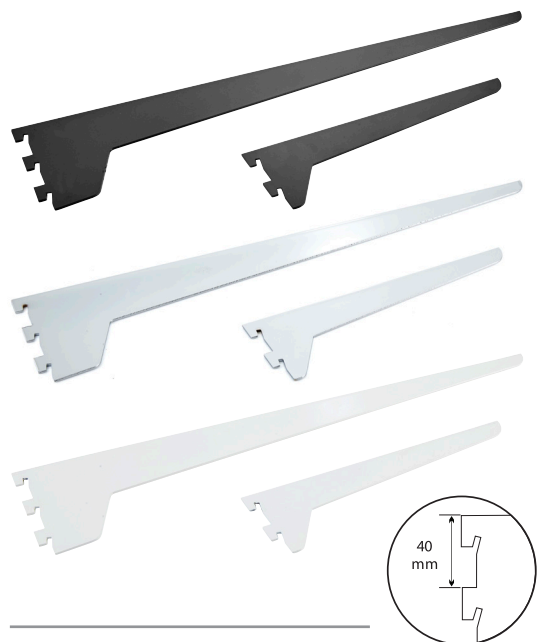
Shelf & Wardrobe Hardware - Page 281



### Vantage Single Slot Stripping

- Finish: Chrome Plated (CP), Black (BL), White (WH)

Part No.	Finish	Length	SPECIAL Price	Regular Price	Per
SSS1200	CP, BL, WH	1200 mm	<b>8.49</b>	10.68	ea
SSS1800	CP, BL, WH	1800 mm	<b>11.99</b>	15.14	ea
SSS2100	CP, BL, WH	2100 mm	<b>13.99</b>	17.42	ea
SSS2400	CP, BL, WH	2400 mm	<b>15.29</b>	19.04	ea



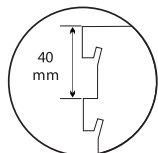
### Vantage Standard Brackets

- Finish: Chrome Plated (CP), Black (BL), White (WH)

Part No.	Finish	Length	SPECIAL Price	Regular Price	Per
SB150.2	CP, BL, WH	2 lug - 150mm	<b>2.99</b>	4.41	ea
SB200.2	CP, BL, WH	2 lug - 200mm	<b>3.78</b>	5.04	ea
SB250.2	CP, BL, WH	2 lug - 250mm	<b>4.18</b>	5.57	ea
SB300.2	CP, BL, WH	2 lug - 300mm	<b>4.62</b>	6.16	ea
SB350.3	CP, BL, WH	3 lug - 350mm	<b>5.56</b>	7.41	ea
SB400.3	CP, BL, WH	3 lug - 400mm	<b>6.93</b>	8.15	ea
SB450.3	CP, BL, WH	3 lug - 450mm	<b>7.63</b>	8.48	ea
SB500.3	CP, BL, WH	3 lug - 500mm	<b>7.99</b>	8.91	ea

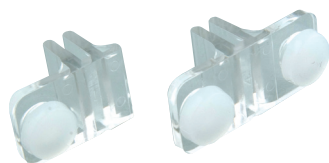
Note - It is the responsibility of the installer:

- To ensure that the wall is of a suitable quality to hold the shelf fixing in place
- To use the proper hardware fittings according to the construction of the wall



### Vantage Shelf Rests With Grommets

- Finish: Clear (CL)



Part No.	Description	SPECIAL Price	Regular Price	Per
SRG.EC.CL	End Clip	<b>0.39</b>	0.76	ea
SRG.CC.CL	Centre Clip	<b>0.53</b>	0.97	ea

### Vantage Shelf Rests Without Grommets

- Finish: Clear (CL)



Part No.	Description	SPECIAL Price	Regular Price	Per
SRT.EC.CL	End Clip	<b>0.99</b>	1.08	ea
SRT.CC.CL	Centre Clip	<b>1.19</b>	1.21	ea

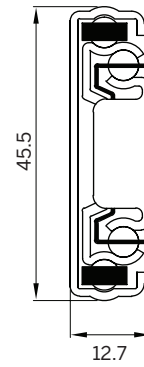


### Trade Soft Close Full-Extension Ball Bearing Slides

- Made in China
- Soft Close
- 50,000 cycles under correct installation and normal usage
- Drawer profile features an easy-to-operate drawer removal lever
- System 32 compatible hole locations
- Drawer slide is non-handed
- Load capacity: 40kg per pair
- Material: Cold rolled steel with steel ball bearings
- 1 Pair = 1 Drawer
- Finish: Zinc Plated (ZP)

FROM **\$9<sup>49</sup>**  
PER PR

**NEW**

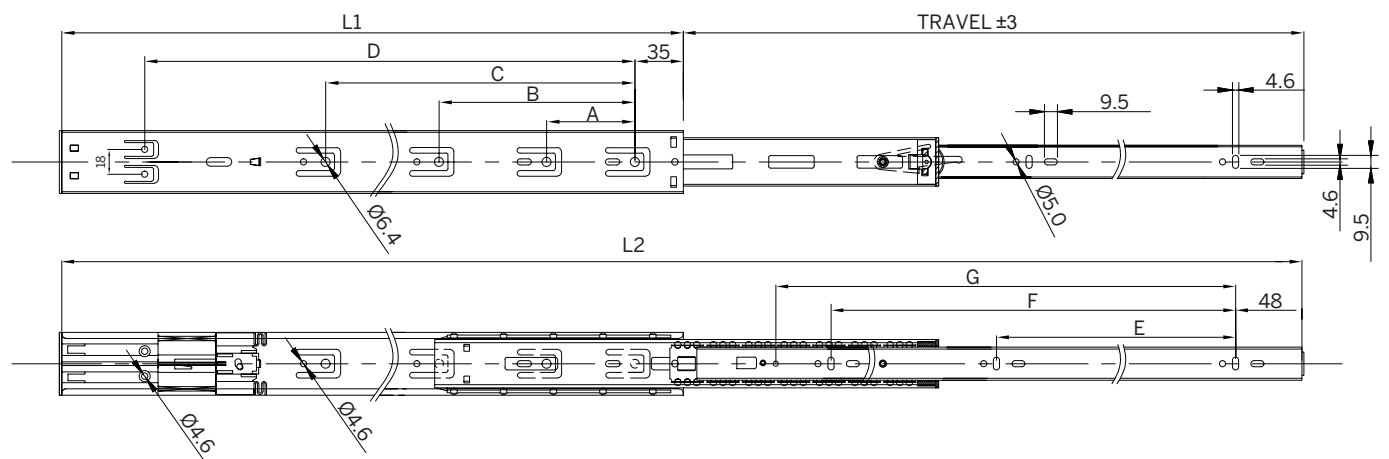


Part No.	Finish	Length mm	Box Qty	INTRODUCTORY Price	Per
TSM40.300SC	ZP	300	10 pr	<b>9.49</b>	pr
TSM40.350SC	ZP	350	10 pr	<b>10.19</b>	pr
TSM40.400SC	ZP	400	10 pr	<b>10.89</b>	pr
TSM40.450SC	ZP	450	10 pr	<b>11.79</b>	pr
TSM40.500SC	ZP	500	10 pr	<b>12.49</b>	pr

Drawer Systems - New Product!

### Cabinet Profile Screw Positions

Item No.	L1 mm	L2 mm	TRAVEL mm	A mm	B mm	C mm	D mm	E mm	F mm	G mm
TSM40.300SC.ZP	300	583	283	64	128	-	225	64	-	164.6
TSM40.350SC.ZP	350	697	347	64	192	-	275	96	-	214.6
TSM40.400SC.ZP	400	800	400	64	160	-	305	160	-	243.6
TSM40.450SC.ZP	450	900	450	64	160	224	355	160	-	293.6
TSM40.500SC.ZP	500	1000	500	64	192	288	405	192	-	343.6



© Copyright 2025 All Rights Reserved. Specifications subject to change without notice.

### ProBullet Disposable Uncorded Earplugs - Bulk Bag

- Class 5, SLC80, 27dB
- Hearing protection for noise levels to 110dB(A)
- Made from soft PU foam
- Traditional conical 'Bullet' shape
- Bulk bag of 500 pairs
- Colour: Fluro Orange



Part No.	Description	INTRODUCTORY Price	Per
EPDS500R	Orange Bullet Style	<b>98.90</b>	bag/500



### ProBell Disposable Uncorded Earplugs - Bulk Bag

- Class 5, SLC80, 27dB
- Hearing protection for noise levels to 110dB(A)
- Made from soft PU foam
- 'Bell' shape delivers maximum comfort
- Bulk bag of 500 pairs
- Colour: Fluro Yellow



Part No.	Description	INTRODUCTORY Price	Per
EPYU500R	Yellow Bell Style	<b>104.90</b>	bag/500

### Black Ace Disposable Nitrile Gloves

- Low sweat technology for extended use
- High puncture resistance
- Chemical resistance to incidental splash exposure
- Certified for protection against Fentanyl
- Made from 100% nitrile
- Powder free and latex free
- 5 mils thickness
- Textured fingers and palm for extra grip
- Amazing dexterity
- Box of 100 gloves



**\$23<sup>90</sup>**  
PER BOX

Part No.	Size	Box Qty	SPECIAL Price	Regular Price	Per
GNB205.L	Large	10	<b>23.90</b>	31.28	box/100
GNB205.XL	X-Large	10	<b>23.90</b>	31.28	box/100

**FREE 1.7M  
PARAFOIL KITE**

**FREE DUAL LINE 1.7M PARAFOIL KITE  
WITH EVERY ORDER OVER THE VALUE  
OF \$2000 FROM THIS BROCHURE**





### Corner Shelf Bracket

- Covers & strengthens joins in corner shelves - perfect for wardrobes
- Ensures shelves remain flush at the front
- Finish: White (WH), Black (BL)



Part No.	Finish	Outer Qty	SPECIAL Price	Regular Price	Per
CSRB	WH, BL	180	1.49	3.05	ea



Shelf & Wardrobe Hardware - New Product!



Ensures both shelves remain aligned along the corner join

### Corner Shelf Support - H Profile - White

Part No.	Length	SPECIAL Price	Regular Price	Per
WSCH440.WH	440mm	2.99	4.50	ea



Used to support and cover the ends of a 16mm wardrobe shelf

### Shelf End Support Cover - U Profile - White

Part No.	Length	SPECIAL Price	Regular Price	Per
WSEU440.WH	440mm	1.59	2.47	ea



### Shelf Bracket for Wardrobe White

- Eliminates vertical support panels providing clear floor space
- Provision for 15mm oval or 25mmØ round hanging rails
- Rebated for cleat
- Finish: White (WH)



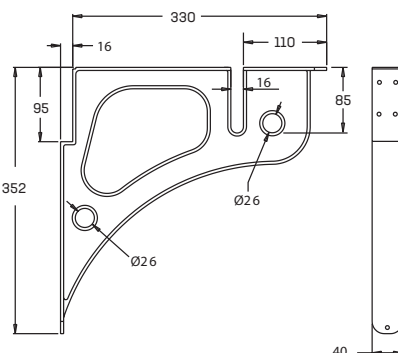
**\$7.90**  
PER EA

Part No.	Finish	SPECIAL Price	Regular Price	Per
WSB01	WH	7.90	25.04	ea

### Shelf Bracket for Wardrobe - Black

- Eliminates vertical support panels providing clear floor space
- Provision for 15mm oval or 25mmØ round hanging rails and rebate for cleat
- Finish: Black (BL)

Part No.	Finish	SPECIAL Price	Regular Price	Per
WSB01	BL	13.90	25.04	ea



**\$13.90**  
PER EA



**FREE FINSKA ORIGINAL SET**

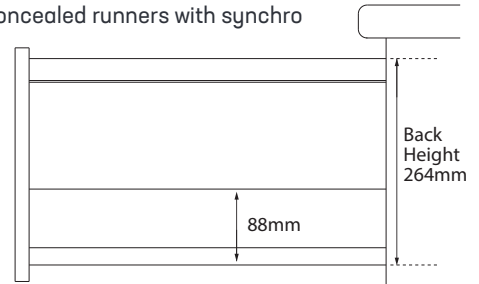
FREE FINSKA ORIGINAL SET IN NORDIC BLUE WITH EVERY ORDER OVER THE VALUE OF \$1000 FROM THIS BROCHURE

# ALUNANT



## SF File Drawer

- Made to fit your standard filing folders
- Soft close, full extension roller bearing concealed runners with synchro
- Steel drawer side 88mm
- Load capacity of 60kg
- Flexible 2-dimensional front adjustment and rear tilt adjustment
- Sylent integrated cushioning system
- Integrated lateral stabiliser
- Finish: White (WH)



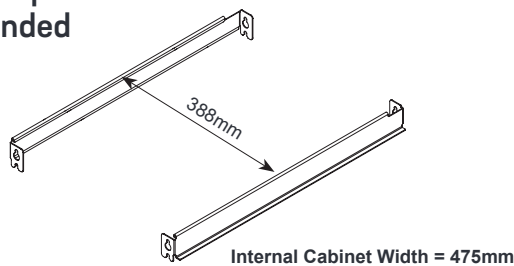
### Drawer Kit:

Part No.	Finish	Length	Weight	Pallet Qty	Per
A6AKT8845S.SWH.BOX	Silk White	450mm	60kg	118	set
A6AKT8850S.SWH.BOX	Silk White	500mm	60kg	118	set
A6AKT8855S.SWH.BOX	Silk White	550mm	60kg	118	set

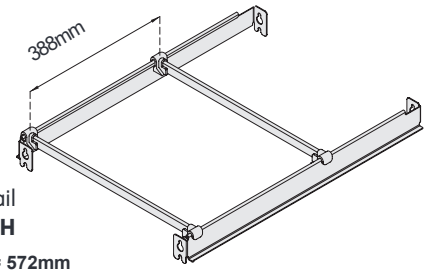
### + Extra - File Rail Set:

Part No.	Finish	Length	Sold Per
RMF.450T.WH	White	450mm	pr
RMF.500T.WH	White	500mm	pr
RMF.550T.WH	White	550mm	pr

### Filing Along Drawer Width (foolscap suspended files)

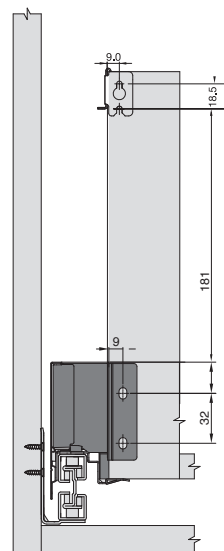
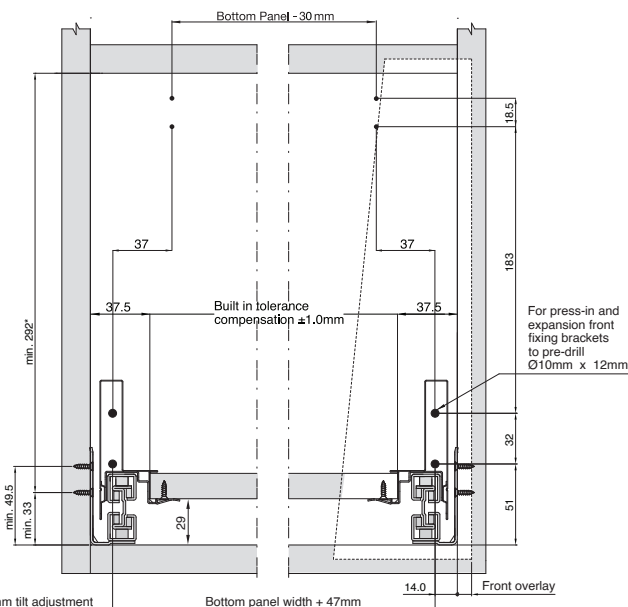


### Filing Along Drawer Length (foolscap suspended files)



When using the:  
File Cross Hanging Rail  
**Part No: RMFC.475.WH**

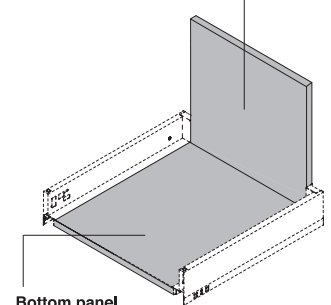
Internal Cabinet Width = 572mm



### Cutting Dimensions for 16mm Chipboard

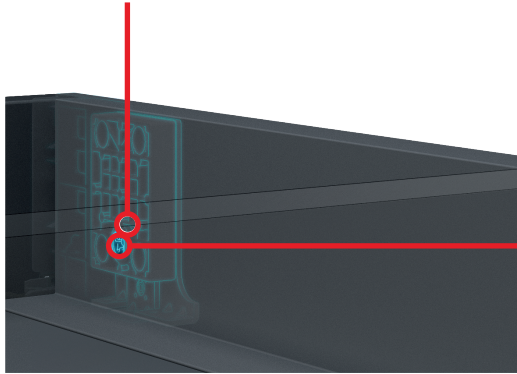
**Back panel**  
Width = internal cabinet width - 87mm  
Height = 264mm

**Bottom panel**  
Width = internal cabinet width - 75mm  
Length (Wooden Back) = drawer length - 24mm

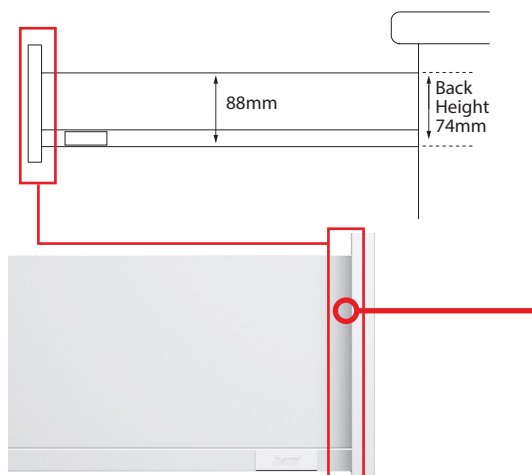
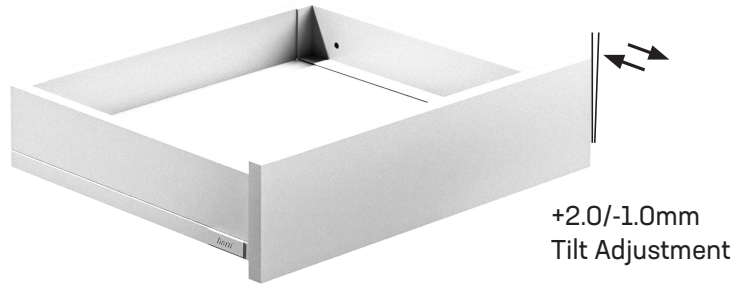


# ALUNANT

Easily fine-tune the front panel angle with just a few straight forward steps



## Superior Tilt Adjustment



# ALUNANT

## Patented Rear Tilt Adjustment

Patented rear tilt adjustment means no plastic cover at the front of the drawer side to cover over the 'wedged shaped' gap between the side and the drawer front caused by tilting the drawer front

Clean and streamline drawer side all the way up to the drawer front with no extra clips to cover for tilt adjustment



## CASSINI LAUNDRY SINKS

Featuring large 45L or 47L capacities these laundry troughs are suitable for handling all your laundry tasks including soaking clothes, filling buckets and general home duties.

Rust resistant and reliable, these sinks are the perfect choice for lasting and enduring all your laundry tasks.

Sinks & Tapware - Page 397



**\$189<sup>90</sup>**

PER EA

### Cassini Sniper - 560 Laundry Tub

- 47L bowl
- Universal Mounting
- Supplied with template
- Overall Size: 560mm L x 480mm W x 225mm D
- Bowl Size: 520mm L x 400mm W
- 304 grade stainless steel
- Material thickness: 1.2mm
- Finish: Stainless Steel (SS)

Part No.	Finish	SPECIAL Price	Regular Price	Per
SLTQ560	SS	<b>189.90</b>	220.01	ea



**\$109<sup>90</sup>**

PER EA

**+\$38<sup>00</sup>**

PER EA

Part No.  
SM83.CP

### Cassini Matrix - 45L Laundry Sink

- Supplied with 2 x 41mm Ø holes for a tap and/or bypass, 1 cover cap to plug extra taphole if necessary & all the fittings for a washing machine bypass
- Overall Size: 605mm L x 505mm W x 225mm D
- Bowl Size: 515mm L x 410mm W
- Made from 304 grade stainless steel
- Material thickness: 0.9mm
- Finish: Stainless Steel (SS)

Part No.	Finish	SPECIAL Price	Regular Price	Per
SLT610	SS	<b>109.90</b>	154.55	ea



**FREE FINSKA ORIGINAL SET**

FREE FINSKA ORIGINAL SET IN NORDIC BLUE WITH EVERY ORDER OVER THE VALUE OF \$1000 FROM THIS BROCHURE

### Cassini Insert Waste Bin System

- Made in Italy
- To suit 450mm wide cabinet
- 2 x 32L Buckets with lids and a front bracket
- Comes with lids to keep the smell away
- Absolutely no assembly required!
- Universal frame and bin kit is made to suit Harn Ritma Cube and Blum Tandembox Antaro as well as most other popular soft-close, double wall tapered side drawer brands
- Handles work as bag retainers as well as for easy removal
- Super easy to clean - flat top frame sits above drawer side so there is no nooks & crannies to collect crumbs
- **Super simple installation - only 4 screws for each side**
- Finish: White (WH), Silk White (SWH)



SWH Suits Blum Tandembox Antaro  
WH Suits Harn Ritma Cube

Part No.	Finish	INTRODUCTORY Price	Per
CIB.45.232	WH	<b>199.90</b>	ea
CIB.45.232	SWH	<b>199.90</b>	ea

Waste & Laundry Management - New Product!

RITMA CUBE OVER-EXTENSION S DRAWER BOX KITS NOW AVAILABLE

**Super Handy Handles** - Use to retain bags and easily remove bins

**Lids to keep the smell away**

**Matching no matter your drawer** - Match with most twin wall drawer systems on the market

**Super Simple Installation** - ONLY 4 Screws Each Side

**Super Easy to Clean** - No nooks and crannies to collect crumbs

**Simple & Smart Large Front Adjustment**

**Dimensions:** 450mm width, 505mm top width, 220mm top width, 580mm height.

**Capacity:** 32 Litre x 2

**MADE IN ITALY**

Silk White Pictured

# CASSINI



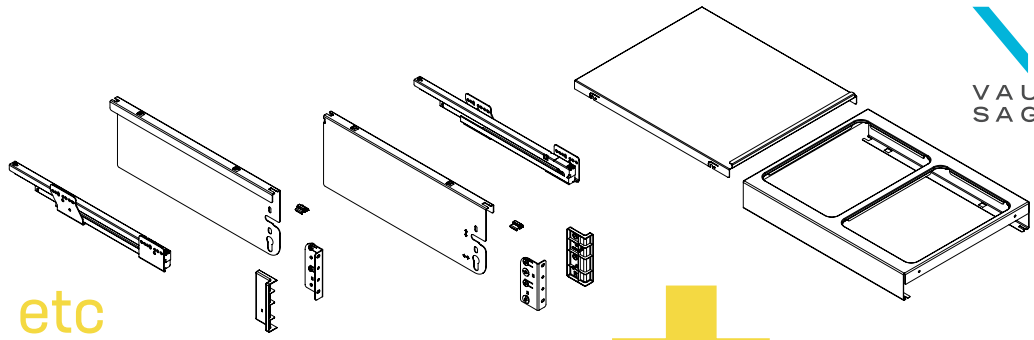
**FREE 1.7M PARAFOL KITE**

**FREE DUAL LINE 1.7M PARAFOL KITE WITH EVERY ORDER OVER THE VALUE OF \$2000 FROM THIS BROCHURE**



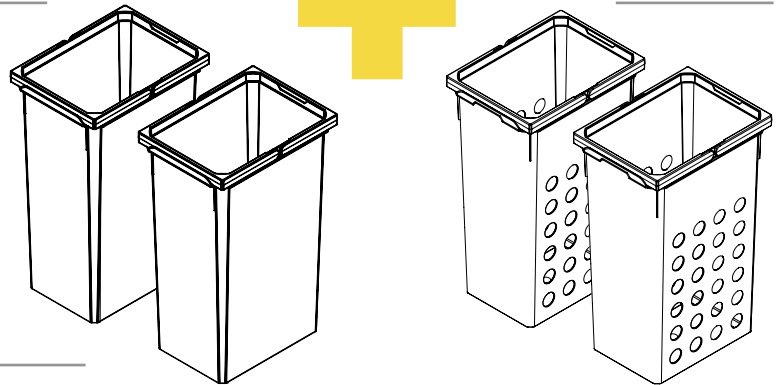
## BOX 1

Frame,  
Lid, Sides  
& Runners etc



## BOX 2

Buckets or  
Hampers



# THE EVER POPULAR MATCHING VS BIN & HAMPER SYSTEMS COMING SOON IN BULK PACKAGING OPTIONS

Waste & Laundry Management - New Products!



**NEW**  
BULK PACKED  
OPTION NOW  
AVAILABLE

### VS WASH® Laundry Hamper System 450mm - 2 x 35L

- Made in Germany
- Lifetime Warranty
- 2 x 35L plastic hampers
- 50kg load capacity runners
- Finish: White (WH)



Part No.	Finish	MCW mm	W mm	H mm	D mm	INTRODUCTORY Price !	Per
VSWLH45.WH.BULK	White	450	418	580	515	<b>367.00</b>	kit

MCW = Modular Cabinet Width W = Internal width required H = Minimum internal height D = Minimum internal depth



**NEW**  
BULK PACKED  
OPTION DUE  
MID JAN  
2026

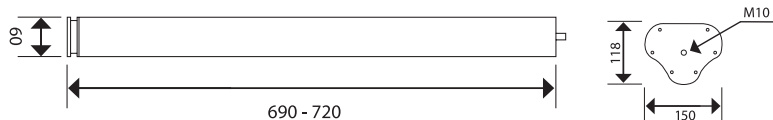
### VS ENVI® Space XX Pro Waste Bin System 450mm - 2 x 35L

- Made in Germany
- Lifetime Warranty
- 2 x 35L buckets
- 3D Front adjustment to door
- Installation templates supplied
- 50kg load capacity runners
- Finish: Grey (GY)



Part No.	Finish	MCW mm	W mm	H mm	D mm	INTRODUCTORY Price !	Per
VSBL2.45.GY.BULK	Grey	450	418	580	515	<b>359.90</b>	kit

MCW = Modular Cabinet Width W = Internal width required H = Minimum internal height D = Minimum internal depth



**WHITE FINISH BACK BY POPULAR DEMAND**



### Round Table Leg - 60mm Ø - Screw On Style

- 60mm Ø
- Height adjustable 690 - 720mm
- Packed 4 legs per carton
- Finish: Black (BL), Chrome Plated (CP), Precious Silver Pearl (PSP), **White (WH9003)**

Part No.	Finish	SPECIAL Price	Regular Price	Per
TLS60.690	BL, CP, PSP, <b>WH9003</b>	<b>54.90</b>	101.53	set/4

Castors, Legs & Glides - Page 518

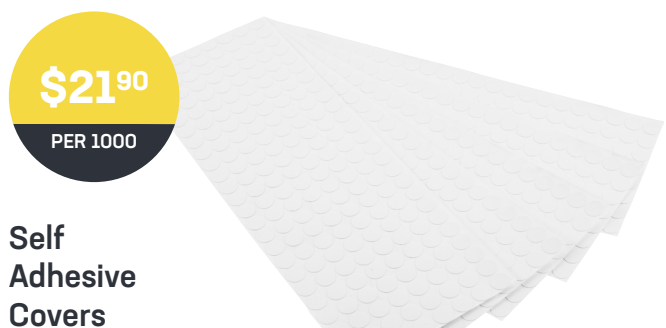
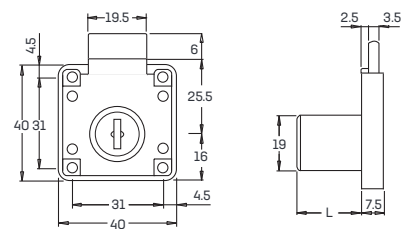
### Fixed Barrel Projection Drawer Locks

- Both Keyed Different & Keyed Alike available
- 180 degree key rotation
- Includes 2 keys
- Supplied with a rosette/bezel
- To suit door material thickness from 16mm to 22mm
- Non removable barrel. For removable barrel type, see catalogue
- Material: Zinc alloy die cast housing with brass components & steel keys
- Finish: Black (BL), Nickel Plated (NP)



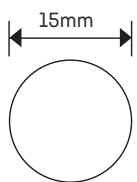
Part No.	Finish	Lmm	Description	SPECIAL Price	Regular Price	Per
PDL19KD	BL, NP	22	Keyed Different	<b>8.90</b>	11.75	ea
PDL19KA120	BL, NP	22	Keyed Alike	<b>8.90</b>	11.75	ea

Locks & Catches - New Products!



### Self Adhesive Covers

- 15mm Self Adhesive Covers
- White stipple only
- Pack of 1000
- Minimum order 1 pack (1000)
- Finish: White



Part No.	Finish	SPECIAL Price	Regular Price	Per
SAD.15	WHITE	<b>21.90</b>	32.34	1000



### Benchtop Connector - 65mm

- To suit a standard 35mm hole
- Easy to install
- Fast tightening, save time - use a ratchet spanner: Part No. FRRM10
- Finish: Zinc Plated (ZP)

Part No.	Box Qty	SPECIAL Price	Regular Price	Per
BTC.65.ZP	200 pcs	<b>0.59</b>	1.08	ea

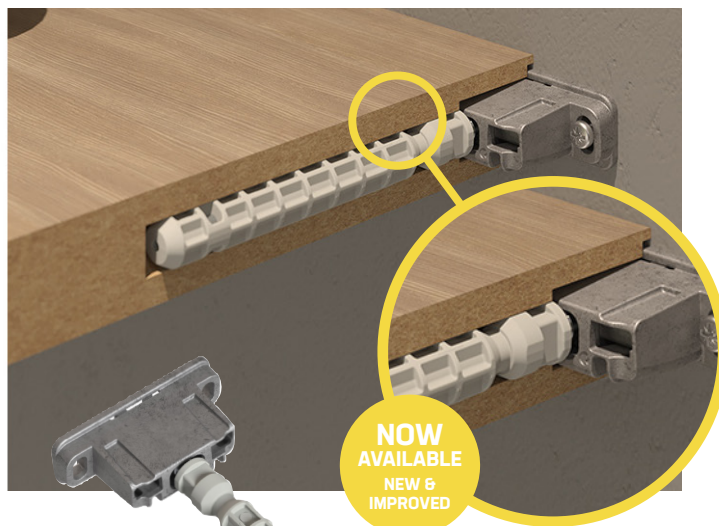
Connecting Systems - Page 580

# Triade PRO Now Available!

Re-designed and technically improved, Triade Pro is defined by high loading capacity and smooth adjustments.

With a load capacity of up to 20kg per bracket and shelf depths of up to 400mm there is a bracket to suit every application.

Shelf & Wardrobe Hardware - Pages 282-291



## Triade Pro Concealed Floating Shelf Brackets

- Fully adjustable and totally concealed, these shelf brackets ensure a clean, seamless look for today's modern interior
- Optional strengthening brackets are for use in brick/ masonry walls
- Aluminium profiles are recommended for timber stud walls



Part No.	Description	ST mm	LCB kg	SD mm	BS mm	SPECIAL Price	Regular Price	Per
CSFB.TSM18	Triade Slim concealed mounting bracket	18	15	120-200	400-500	13.00	22.23	ea
CSFB.TSMBKT.ZP	Triade Slim - Optional strengthening bracket	-	-	-	-	9.00	19.96	ea
CSFB.TMI25	Triade Pro Mini concealed mounting bracket	25-30	15	160-250	400-500	13.00	24.91	ea
CSFB.TMIBKT.ZP	Triade Pro Mini - Optional strengthening bracket	-	-	-	-	9.00	13.00	ea
CSFB.TD25	Triade Pro concealed mounting bracket	30-40	30	160-300	400-500	13.00	24.91	ea
CSFB.TDBKT.ZP	Triade Pro - Optional strengthening bracket	-	-	-	-	9.00	19.50	ea
CSFB.TMX40	Triade Pro Maxi concealed mounting bracket	Min 40	40	160-400	400-500	19.00	35.95	ea
CSFB.TMXBKT.ZP	Triade Pro Maxi - Optional strengthening bracket	-	-	-	-	9.00	19.50	ea
CSFB.TXXL40	Triade Pro XXL concealed mounting bracket	Min 40	40	300-400	400-500	26.00	44.27	ea
CSFB.TMXBKT.ZP	Triade Pro XXL - Optional strengthening bracket	-	-	-	-	9.00	19.50	ea
CSFB.SCREW.ZP	Triade Screw For Triade Strengthening Brackets	-	-	-	-	0.08	0.13	ea
CSFB.SCREW.10.ZP	Triade Screw For Triade Slim Strengthening Bracket	-	-	-	-	0.09	0.14	ea

ST = To suit shelf thickness LCB = Load capacity. (including shelf weight) SD = Shelf depth (min-max) BS = Recommended bracket spacing (min-max)

3.6M LENGTH AVAILABLE

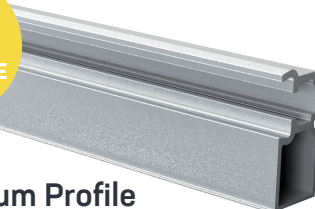


### Triade Aluminium Profile Mini & Triade

- For fixing the Mini & Triade Brackets to Timber stud walls. Requires a minimum shelf thickness of 30mm
- Material: Aluminium
- Length: 1800mm or 3600mm

Part No.	SPECIAL Price	Regular Price	Per
CSFB.SWPMINI.ALU	21.00	33.48	ea
CSFB.SWPMINI.3600.ALU	38.00	66.93	ea

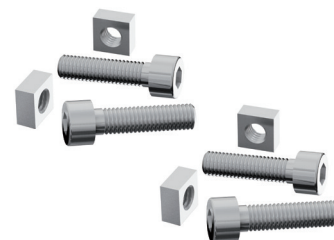
3.6M LENGTH AVAILABLE



### Triade Aluminium Profile Maxi & Triade XXL

- For fixing the Triade Maxi & Triade XXL Brackets to Timber stud walls. Requires a minimum shelf thickness of 50mm
- Material: Aluminium
- Length: 1800mm or 3600mm

Part No.	SPECIAL Price	Regular Price	Per
CSFB.SWPMAXI.ALU	28.00	44.27	ea
CSFB.SWPMAXI.3600.ALU	45.00	88.54	ea



### Triade Fastener Pack

- Fastener pack to suit Triade stud wall profile
- 1 set does 2 brackets

Part No.	SPECIAL Price	Regular Price	Per
CSFB.PROFSCREW	2.30	3.56	ea



## E-Fix Connectors

This light-weight and secure connecting system sits flush with the board surface and is perfect for nesting operations and does not require horizontal drilling.



### E-Fix Connector

- Facilitates a 2-piece cam & dowel joining method with all the inherent and well known strengths and abilities
- Edge cutting (only requiring a nesting facility) allowing you to use in flat pack furniture assemblies
- Allows for both knock-down and placement assembly
- Finish: Black (BL), White (WH)



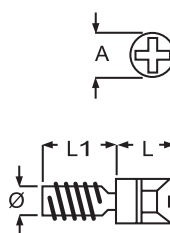
Part No.	Finish	A mm	B mm	C mm	SPECIAL Price	Regular Price	Per
EF20	BL, WH	20	12.7	9.5	<b>0.32</b>	0.46	ea

### E-Fix Steel Dowel

- Finish: Zinc Plated (ZP)

Part No.	Finish	A mm	Ø mm	L mm	L1 mm	SPECIAL Price	Regular Price	Per
EFSD11	ZP	6.5	6.2	9	11	<b>0.12</b>	0.21	ea

Ø = (for 5mm drilled hole)



Connecting Systems - Page 582



### Corna Support Catch - Side Mount

- Made in Australia
- Prevents dropping of bi-fold corner doors & damage due to accidental misuse
- Finish: White (WH)



Part No.	Finish	Box Qty	SPECIAL Price	Regular Price	Per
SCSM39	WH	25	<b>3.89</b>	4.81	ea

Locks & Catches - Page 530

### Daisy Catch Standard

- The Daisy Catch is a one piece corner or bi-fold door solution, it has been designed for quick, easy fitting, while protecting the adjacent door and maintaining door gap.
- Can also be used as a removable panel catch
- Slotted fixing holes for adjustment
- Finish: White (WH)



Part No.	Finish	Box Qty	SPECIAL Price	Regular Price	Per
ZB20.100	WH	50	<b>2.99</b>	5.36	ea



**FREE FINSKA ORIGINAL SET**

**FREE FINSKA ORIGINAL SET IN NORDIC BLUE WITH EVERY ORDER OVER THE VALUE OF \$1000 FROM THIS BROCHURE**

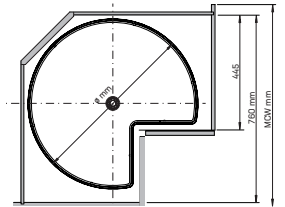
**FROM \$249<sup>90</sup>**  
PER EA

**CONTACT US FOR BULK BUY DEALS!**

VS COR® Wheel  
Part No. VSTQRC820.CPWH

### VS COR® Wheel - 3/4 Round Revolving Corner Unit

- Made in Germany - Lifetime Warranty
- Individual height adjustment of shelves
- 2 x Chrome surround, solid base, Premea Style shelves
- Shelves rotate individually
- Rest location for shelves
- Load capacity - 25kg per shelf
- Finish: Chrome Plated & White (CPWH)



Part No.	Ø mm	H mm	D mm	MCW mm	SPECIAL Price	Regular Price	Per
VSTQRC720.CPWH	720	680-730	445	800 x 800	<b>249.90</b>	330.75	ea
VSTQRC820.CPWH	820	680-730	500	900 x 900	<b>269.90</b>	357.28	ea

Ø mm Minimum internal width H = Minimum internal height required D = Minimum internal depth MCW = Modular Cabinet Width



Kitchen & Home Storage Solutions - Page 345



## ORIGINAL & BEST, TRIED & TESTED - BACK BY POPULAR DEMAND!

**FROM \$0<sup>59</sup>**  
PER EA

### Alpha Power Bit - Phillips - No.2

- 1/4 Hex quick change shank
- Optimum full body hardness for longer service life and less wear
- Compression forged tip, for an ideal fit and to reduce breakage
- Superior magnetism helps the bit grip the screw and prevent cam-out
- Higher torque capacity

Part No.	Length mm	SPECIAL Price	Regular Price	Per
PH2.25	25	<b>0.59</b>	1.44	ea
PH2.50	50	<b>1.29</b>	2.84	ea
PH2.75	75	<b>2.49</b>	4.64	ea
PH2.100	100	<b>2.89</b>	5.76	ea
PH2.150	150	<b>4.29</b>	8.52	ea

Workshop, Tools & Safety Supplies - New Product!

### Alpha Power Bit - Pozi - No.2

- 1/4 Hex quick change shank
- Optimum full body hardness for longer service life and less wear
- Compression forged tip, for an ideal fit and to reduce breakage
- Superior magnetism helps the bit grip the screw and prevent cam-out

Part No.	Length mm	SPECIAL Price	Regular Price	Per
PZ2.25	25	<b>0.96</b>	1.80	ea
PZ2.50	50	<b>1.42</b>	2.84	ea
PZ2.75	75	<b>2.56</b>	4.88	ea
PZ2.150	150	<b>4.70</b>	12.90	ea

### One-Piece Quick Connector

- Made in China
- Very cost effective one piece fittings for face boring applications
- Simple Push In style design
- Integrated expanding housing and dowel provide consistently stronger joints
- Finish: White (WH)



**NEW**

Part No.	Finish	Box Qty	INTRODUCTORY Price	Regular Price	Per
OPC20	WH	1000	<b>0.35</b>	0.41	ea

### Safety Step For Step Ladders

- Make your worksite a safer place to work!
- Fits on every Type 1 & 1A fibreglass 6ft, 8ft, 10ft and 12ft step ladder & other standard single and double sided step ladders
- This revolutionary safety solution will prevent many potential falls & injuries
- Prevents workers from stepping on the top step
- Custom designed tray with slidable hook to hold all your goods in one place
- Cleverly secure screwdriver holder
- Lots of tool & hardware pouches including a large, zipped pocket. Even holds a tin of paint securely!



**\$59<sup>90</sup>**

PER EA

Part No.	SPECIAL Price	Regular Price	Per
SSSL	<b>59.90</b>	83.32	ea



**\$39<sup>90</sup>**

PER SET

### Flap Stay - Adjustable Strength For Timber Doors

- Adjustable strength
- Set comes with fixing screws
- Finish: Grey (GY)

Part No.	Finish	SPECIAL Price	Regular Price	Per
DFS.LD	GY	<b>39.90</b>	54.50	set



**\$3<sup>90</sup>**

PER 50

**BEST SELLER**

### Starplug Plastic Wall Plugs - Green

- Australian Made - High Quality
- Ideal for masonry & brick
- Starplugs expand along the full length for reliable holding power
- Designed for use with 10-12G screws
- 1 Chamfered end for ease of insertion into hole
- Minimum order 1 bag (50pcs)
- Finish: Green (GN)

Part No.	Size	SPECIAL Price	Regular Price	Per
SPG.50.GN	6.5 x 50mm	<b>3.90</b>	6.53	50



**\$36<sup>90</sup>**

PER EA

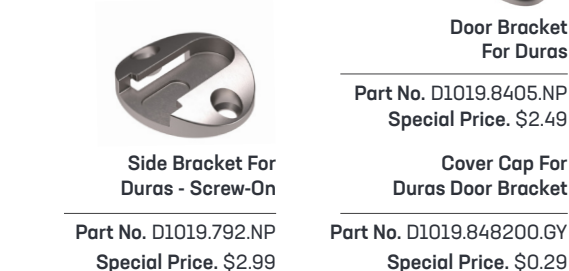
### Tanova Door Mounting Bracket

- Enables cupboard door mounting of most Tanova waste bin bucket
- **Bracket only - bin not included, ordered separately**
- Suits 8, 12, 15, 18 & 24 Litre buckets
- Perfect for vanities or installations under kitchen sinks as there is no pop-up lid to interfere with under sink plumbing
- Finish: Stainless Steel (SS)

Part No.	Finish	SPECIAL Price	Regular Price	Per
EBTBF.CD	SS	<b>36.90</b>	42.49	ea

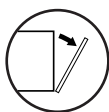


Drop Down Stay 244mm  
Part No. D1019.189.GY



### Duras Drop Down Stay

- 164mm / 244mm / 355mm Long
- Use for drop down doors and flaps
- For doors 225 - 450mm high
- Brackets not included
- Finish: Grey (GY)



Part No.	Finish	Description	SPECIAL Price	Regular Price	Per
D1019.187	GY	Stay Only 164mm Automatic	<b>28.90</b>	51.83	ea
D1019.189	GY	Stay Only 244mm Automatic	<b>30.90</b>	54.99	ea
D1019.490	GY	Stay Only 355mm Automatic	<b>35.90</b>	64.23	ea

Hinges & Door Systems - Page 237

### Kimana Flap Hinge

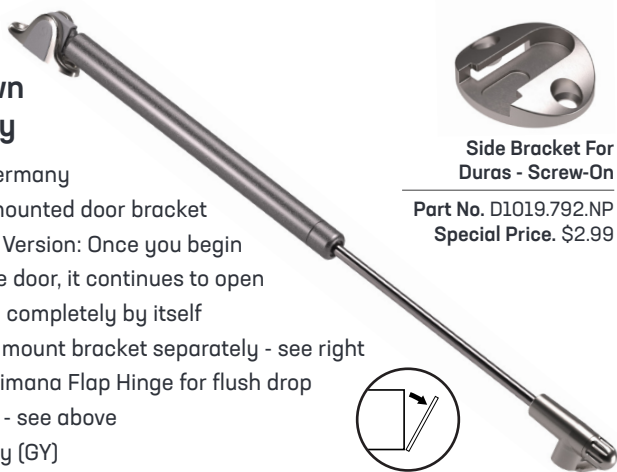
- Flat hinge to open and close flap and drop-down doors
- 26mm hole boring
- Pair with Duras Drop Down Stays (see above or below)
- Finish: Black Nickel (BN)



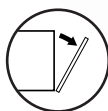
Part No.	Finish	SPECIAL Price	Regular Price	Per
KFH.BN	BN	<b>15.90</b>	18.13	ea

### Duras Drop Down Desk Stay

- Made in Germany
- With pre-mounted door bracket
- Automatic Version: Once you begin to open the door, it continues to open gently and completely by itself
- Order side mount bracket separately - see right
- Pair with Kimana Flap Hinge for flush drop down door - see above
- Finish: Grey (GY)

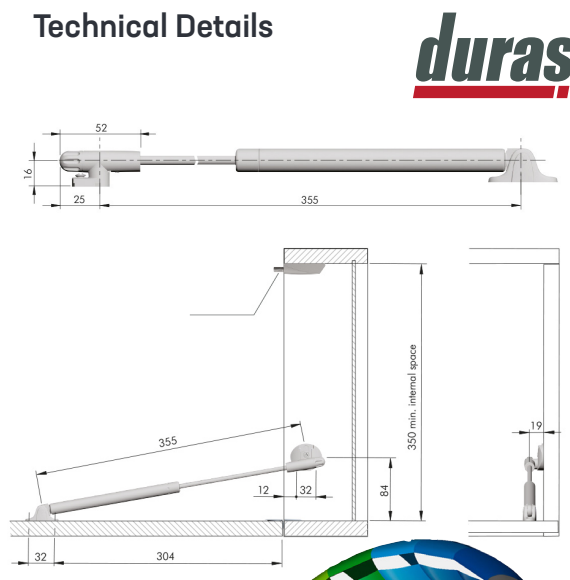


Side Bracket For Duras - Screw-On  
Part No. D1019.792.NP  
Special Price. \$2.99



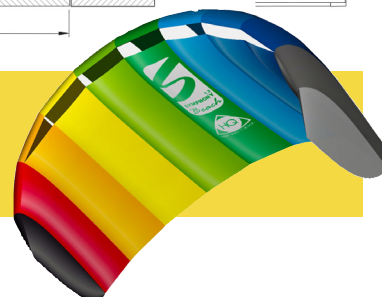
Part No.	Finish	Description	SPECIAL Price	Regular Price	Per
D1019.500	GY	355mm Automatic Stay	<b>54.90</b>	87.82	ea

### Technical Details



**FREE 1.7M  
PARAFOIL KITE**

**FREE DUAL LINE 1.7M PARAFOIL KITE  
WITH EVERY ORDER OVER THE VALUE  
OF \$2000 FROM THIS BROCHURE**





**\$58<sup>90</sup>**

PER 100

### Nylon Corner Bracket - Double Fixing

- Double fixing holes
- Hole Size 5mm
- Finish: White (WH), Black (BL)

Part No.	Finish	SPECIAL Price	Regular Price	Per
NBD5	WH, BL	<b>58.90</b>	74.11	pk/100



**\$29<sup>90</sup>**

PER 100

### Nylon Corner Bracket - Single Fixing

- Single fixing holes
- Hole Size 5mm
- Finish: White (WH), Black (BL)

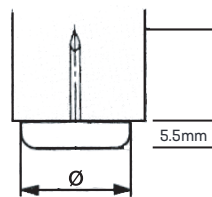
Part No.	Finish	SPECIAL Price	Regular Price	Per
NBS5	WH, BL	<b>29.90</b>	46.72	pk/100

Connecting Systems - Page 571

### Nail On Glide - Round

- Material: Nylon plastic
- Minimum Order: Box of 1000
- Finish: Brown (BR) White (WH)

Part No.	Finish	Ømm	SPECIAL Price	Regular Price	Per
FG58	BR, WH	16	<b>38.90</b>	82.14	1000
FG34	BR	19	<b>39.90</b>	100.57	1000
FG78	BR	22	<b>49.90</b>	122.23	1000



**FROM \$38<sup>90</sup>**

PER 1000

Castors, Legs & Glides - Page 523

### Andy Craft Furniture Repair Crayons

- Andy Craft were developed to aid in hiding blemishes in timber and laminates and it is a simple process to rub the crayon over the blemish, nail hole or edge of the laminate, and then polish off the excess with a soft cloth
- Covers most popular laminates and melamine's as well as standard wood-grains
- Manufactured using a paraffin wax base
- Crayons will not dry out or crumble over time
- Box Qty: 12

**THE NEW 36 SET INCLUDES THE 12 NEW COLOURS**

**FROM \$3<sup>99</sup>**

PER EA



Part No.	Colour	SPECIAL Price	Regular Price	Per
ACFRC	White	<b>3.99</b>	5.87	ea
ACFRC	Black	<b>3.99</b>	5.87	ea
ACFRC.FULLSET	Box set containing each colour	<b>129.90</b>	141.00	set
ACFRC.FULLSET36	36 colours	<b>194.90</b>	211.50	set

Colours shown are as close as modern printing processes allow and may vary from colour of actual product.

Adhesives, Sealants & Abrasives - Page 631

# WATCH THIS SPACE!

AMAZING DEVELOPMENT! - YOU CAN NOW CUT 'SE H4' & 'AT6' ANYWHERE YOU WANT & THEN JOIN IT!!!!!!

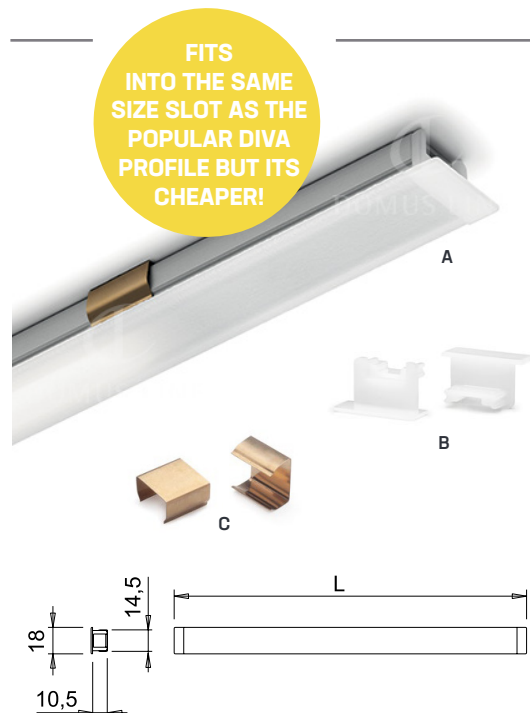


## DOMUS Line Smailly Plus - 3 Set Kit

- Set includes 3 of the Smailly Plus downlights along with a 15W Driver to suit.
- Available in both Warm White & Natural White light colours
- Finish: Satin Nickel (SN)

Part No.	Finish	Light Colour	SPECIAL Price !	Regular Price	Per
DSM12S3.WW	SN	Warm White	<b>94.90</b>	129.76	set
DSM12S3.NW	SN	Natural White	<b>94.90</b>	129.76	set

Cabinet Lighting - New Product!



## DOMUS Line MICY Profile

**NEW**

DOMUS Line®

- Made in Italy
- Supplied in 3 metre lengths only
- Can be easily cut to length
- Opaline diffuser screen for symmetrical light projection
- Innovative spring clip fastening system
- Recessed type profile only (light source must be ordered separately)
- Light Source: Any of the FLEXYLED range can be used. All strip modules, corners and connectors fit within the profile
- Finish: Translucent (TR)

Part No.	Finish	Description	INTRODUCTORY Price !	Per
A DPK.MICY.3M	-	Profile & Diffuser 3 metre	<b>49.99</b>	ea
B DMI.EC	TR	End cap (set of 2)	<b>3.19</b>	set
C DMI.MC	-	Spring clips (Pack of 2)	<b>2.39</b>	set

Cabinet Lighting - New Product!

### Sutton Tools 4pc Forstner Bit Set

- 4pc set of Sutton Tools Forstner Bits idea for cabinetmaking
- Sizes included 16, 20, 26 and 35mm
- Supplied in a wooden case
- High Carbon Steel Construction
- 1/4" Hex Shank
- Centre Point - Provides precise positioning and prevents the bit from wandering
- Rim-Guided Edge - Produces clean holes with no deflection.
- Smooth Sides with Flat-Bottom Finish - Ideal for secure dowel gluing

suttontools



Part No.	Sizes	INTRODUCTORY Price	Per
FBT.SET	16, 20, 26 and 35mm	<b>59.90</b>	set

Workshop, Tools & Safety Supplies - New Product!

### Boteco Push Stick - 415mm

- This industrial quality safety device is designed to allow people to push wood through a saw, router, or other cutting device while keeping hands clear of the blades
- Finish: Orange (OR)



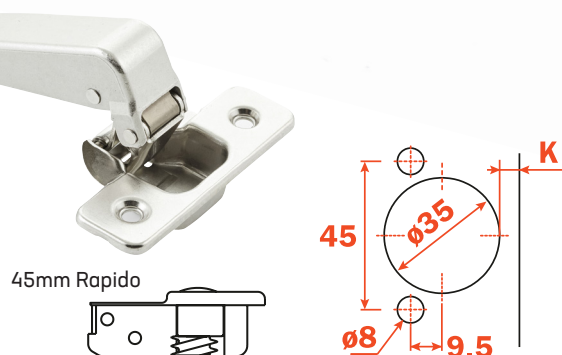
Part No.	Finish	SPECIAL Price	Regular Price	Per
PS415	OR	<b>15.90</b>	20.83	ea

Workshop, Tools & Safety Supplies - Page 645

### Series 200 Blind Corner Hinge

- Made in Italy
- Non-Soft Close
- 110° Opening angle
- 11mm Deep cup
- Drilling distance on the door (K): from 3 to 6mm
- Box Qty: 150pcs

**\$2.50**  
PER EA



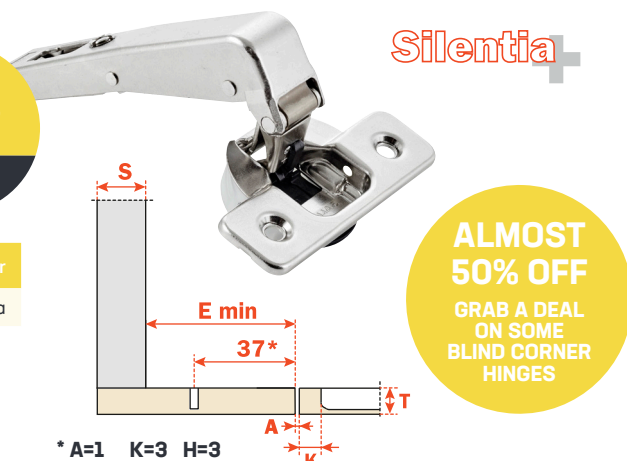
Part No.	Description	QTY Available	CLEARANCE Price	Regular Price	Per
SAL.C27BN99AC	45mm Rapido	<b>2,045</b>	<b>2.50</b>	4.96	ea

### Silentia+ Series 100 Blind Corner Hinge

- Made in Italy
- Integrated Soft Close - Adaptable Strength
- 105° Opening angle
- 12mm Deep cup
- Drilling distance on the door (K): from 3 to 6mm
- Box Qty: 150pcs



**\$4.75**  
PER EA



Part No.	Description	QTY Available	CLEARANCE Price	Regular Price	Per
SAL.C176NE9AC	45mm Rapido	<b>1,632</b>	<b>4.75</b>	8.92	ea

**E min:**  
70mm for Domi snap-on mounting plates  
74mm for Domi snap-on mounting plates with back cam

# KIMBERLEY™

The popular Aussie made Kimberley twin bins are used widely in residential homes and commercial fitouts where functional base mount bin system is required.

Manufactured right here in Melbourne, these bins have stood the test of time and are made from a high quality plastic with a strong metal frame. Now available as standard with Soft Close runners and with the addition of a new 2 x 20L bucket option this range has evolved to keep up with the market expectations.

Waste & Laundry Management - Page 448



## Kimberley Slide Out Twin Bin - 2 x 15L

- Made in Australia
- Metal frame & Soft Close runners
- 2 x 15 Litre capacity bins
- Dimensions: 350mm W x 525mm D x 340mm H
- Can be base or top mounted
- Finish: White (WH)



Part No.	Finish	Description	SPECIAL Price	Regular Price	Per
KRBO6	WH	Standard	<b>85.90</b>	163.64	ea
KRBO6D	WH	Door Mount	<b>145.90</b>	228.08	ea

## Kimberley Slide Out Twin Bin - 2 x 20L

- Metal frame & Soft Close runners
- 2 x 20 Litre capacity bins
- Dimensions: 366mm W x 518mm D x 415mm H
- Can be base or top mounted
- Finish: White (WH)



Part No.	Finish	Description	SPECIAL Price	Regular Price	Per
KRB310	WH	Standard	<b>89.90</b>	166.70	ea

## Kimberley Slide Out Single Bin - 1 x 15L

- 1 x 15 Litre capacity bin
- Minimum space required: 266mm W x 390mm D x 334mm H
- Plastic frame
- Base mounted
- Finish: White (WH)



Part No.	Finish	Description	SPECIAL Price	Regular Price	Per
KRB16	WH	Standard	<b>79.90</b>	161.10	ea



**FREE FINSKA ORIGINAL SET**

**FREE FINSKA ORIGINAL SET IN NORDIC BLUE WITH EVERY ORDER OVER THE VALUE OF \$1000 FROM THIS BROCHURE**



# Everyday Adhesives



## Bostik AW2701 Super Spray Contact Adhesive 20L Clear

- AW 2701 Contact Adhesive is a premium quality, high solids, sprayable contact adhesive
- Gives a strong adhesion to a wide range of materials including decorative plastic laminates (Formica & Laminex etc), timber and timber composites, many natural and synthetic rubbers, cementitious composites, ferrous and non-ferrous metals and polyurethane foam
- High heat resistance, good sprayability, and early green strength coupled with a good working tack life
- Colour: Super Clear



Part No.	Colour	INTRODUCTORY Price !	Per
BAW2701	Clear	<b>139.90</b>	ea

Adhesives, Sealants & Abrasives - New Product!

## KLEIBERIT 501 Polyurethane Adhesive - Bottle

- KLEIBERIT 501 PUR is a one component, polyurethane adhesive for very strong, bonds with high temperature resistance.
- It is ideal for bonding windows, doors, wood, wood based materials, exterior joints, mineral building materials, ceramic and concrete materials, as well as hard foams
- High heat and weather resistance - D4 Classification
- Open time: 20 - 25 mins
- Clamp time: 60 mins



Part No.	Box Qty	SPECIAL Price !	Regular Price	Per
KBT501	12 x 500g Bottles	<b>15.90</b>	20.42	ea

Adhesives, Sealants & Abrasives - Page 617

## Bostik AVS Polyurethane Adhesive - Cartridge

- High strength moisture cured
- 100% waterproof (D4 Classification)
- Good gap filling properties
- High creep resistance
- Bonds to most surfaces



Part No.	Box Qty	SPECIAL Price !	Regular Price	Per
AV515	12 x 300g Cartridges	<b>19.90</b>	27.61	ea

Adhesives, Sealants & Abrasives - Page 616

# NEW 'EVERYDAY LOW PRICES'



Prices down, down and staying down!

With cost continuing to rise through out the industry our purchasing team have been working tirelessly to track down any possible savings for our valued customers.

Combined with the help of increased sales volumes we have been able to negotiate price decreases to achieve savings on some of our most popular products below.



**22%  
DOWN**

**Snap Off  
Levelling Wedges**



**15%  
DOWN**

**Bundling Film  
100mm x 250M roll**



**16%  
DOWN**

**Plastic  
Stretch Wrap  
500mm x 400M roll**



**34%  
DOWN**

**Nuisance  
Dust Mask - DM01**



**30%  
DOWN**

**P1 Moulded  
Respirator - DM02**



**37%  
DOWN**

**P2  
Conical Respirator with  
Valve - DM02V**



**26%  
DOWN**

**Texas  
Safety Glasses - Clear**



**13%  
DOWN**

**Steel Oval  
Wardrobe Tube - Matt Black**



**19%  
DOWN**

**Celano Profiile  
Handle**

**FREE 1.7M  
PARAFOIL KITE**

**FREE DUAL LINE 1.7M PARAFOIL KITE  
WITH EVERY ORDER OVER THE VALUE  
OF \$2000 FROM THIS BROCHURE**





**OVER  
45% OFF!**



### Adjustable Cabinet Leg 100 to 185mm

- Simple 2 Stage Rapid Adjustment via an innovative stepped collar piece
- Preset at 150mm
- Great for standard 120 and 150mm kick spaces
- Slots for lever adjustment with a screw driver
- Made from high impact polystyrene
- Box Qty: 150pcs
- Finish: Black (BL)



Part No.	SPECIAL Price	Regular Price	Per
ACL185.BL	<b>0.95</b>	1.81	ea

Castors, Legs & Glides - Page 520

### Adjustable Cabinet Leg Block - Knock In

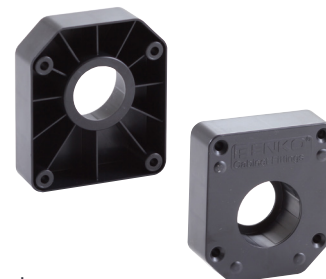
- Knock in (10mm dowel) fixing
- Small bumps on base makes them easy to glide before legs are attached
- Made from high impact polystyrene
- Finish: Black (BL)



Part No.	Box Qty	SPECIAL Price	Regular Price	Per
ACL.KB.BL	150	<b>0.49</b>	0.94	ea

### Adjustable Cabinet Leg Block - Screw On

- Screw On fixing
- Small bumps on base makes them easy to glide before legs are attached
- Made from high impact polystyrene
- Finish: Black (BL)



Part No.	Box Qty	SPECIAL Price	Regular Price	Per
ACL.SB.BL	150	<b>0.49</b>	0.94	ea

### BASIC Adjustable Cabinet Leg 120 to 170mm

- Standard 1 piece threaded adjustment
- Preset at 150mm
- Slots for lever adjustment with a screw driver
- Made from high impact polystyrene
- Box Qty: 150pcs
- Finish: Black (BL)



Part No.	SPECIAL Price	Regular Price	Per
ACL170.BL	<b>0.79</b>	1.52	ea

### SHORT Adjustable Cabinet Leg 90 - 160mm

- Simple 2 Stage Rapid Adjustment via an innovative stepped collar piece
- Developed for situations where a 100mm kicker is preferred - not recommended for standard 150mm kicks
- Preset at 150mm
- Slots for lever adjustment with a screw driver
- Made from high impact polystyrene
- Box Qty: 150pcs
- Finish: Black (BL)



Part No.	SPECIAL Price	Regular Price	Per
ACL150.BL	<b>0.99</b>	1.81	ea

[www.dorsetaustralia.com.au](http://www.dorsetaustralia.com.au)

# SOMETHING IS COMING...



*touch*  
HANDLES



**Head Office & Distribution Centre:** 143 Allingham Street,  
Golden Square VIC 3555, Australia

**Postal Address:** PO Box 2290, Bendigo VIC 3554

**Phone:** 1300 121 800 | **Fax:** 1300 121 850

**Email:** [hello@dorsetaustralia.com.au](mailto:hello@dorsetaustralia.com.au)